

Fuel and Emissions

Fuel pump - in tank	STC4344	from TA323590, '95 through '97:
	STC4345	from WA376580 to XA410481, '98-mid '99:
	WFX101390	from XA410482-on, mid '99-'02:
Line olives (ferrules)	NRC9771	required when replacing pumps
Line nuts	NRC9770	recommended each time: they warp
Fuel gauge sender - in tank	WGI100000	To TA323590 (mid '95)
	WGI100020	From TA323591 (mid '95 on)
Fuel filter - in line	ESR4065	
Air filter element	ESR341	'95-'96
	ESR4238	'97 on
	33-2744	'95-'96
K&N high performance	33-2119	'97 on
	99-5000	K&N cleaning/service kit



Exhaust

Intermediate exhaust assy	ESR3195	To VA376579 ('95 to mid '97)
	WCE104310	From WA376580 ('98 on)
Tailpipe assy, single	ESR3538	To TA346793 ('95-'96)
	ESR4126	From VA346794 to WA410481 ('97-'98)
	WDV100250	From XA410482 ('99 on)
Gasket manifold to downpipe	ESR3260	one per side
Rubber mount exhaust	ESR3172	4 used
O2 sensors	ERR1834	'95-mid '97; 4 fitted, up to VA370718
	AMR6244	mid '97 through 98; 4 fitted, from VA370718 to WA410481
	MHK100940	'98 on, front 2 fitted
	MHK100930	'98 on, rear 2 fitted



Radiator

	PCC106940	'95-'98 GEMS engines (A)
	PCC108080	'99-'02 Motronic engines, with sensor fittings: (B)
		for '99-'00 models without secondary air injection, plug the sensor taps
		O-ring ERR4685

drain plug

Expansion tank 23

Cap - expansion tank

Radiator Hoses

1A Radiator top hose	PCH114840	'95-'98
1B Radiator top hose	PCH000900	'98-'02
2 Radiator to thermostat	PCH118820	
3 Bypass to thermostat	PEH101510	
4 Thermostat to pump	PEH101590	
5 Rad. to expansion tank	PCH117140	
6 Throttle housing return	PCH115700	
7 Bypass to inlet	PEH101500	
8 Throttle housing inlet	ERR4388	
8B Throttle housing inlet	PEH101540	

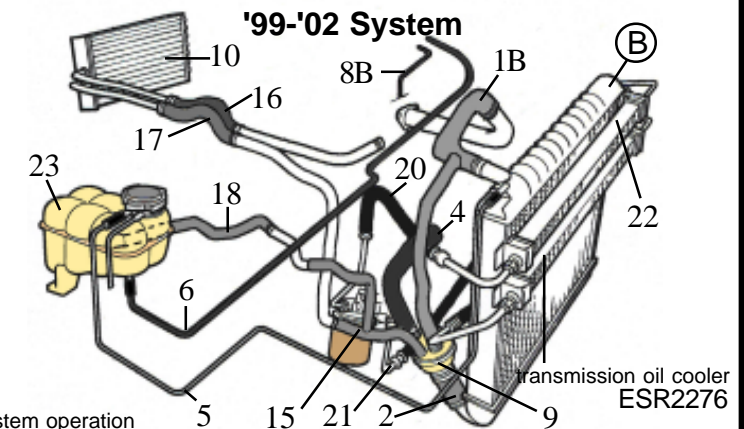
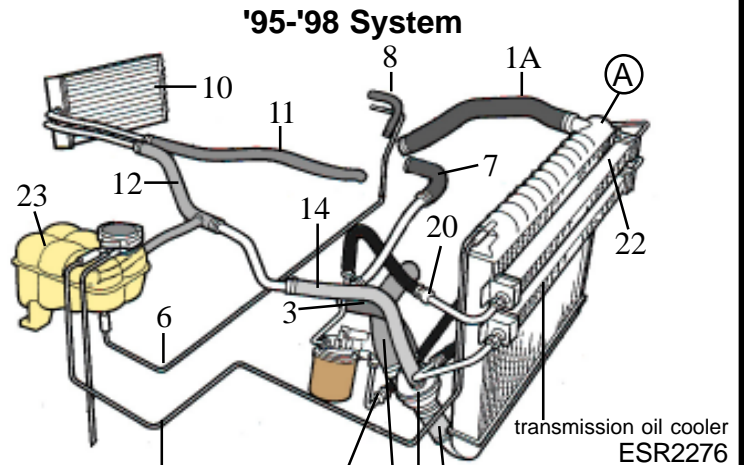
Thermostat and housing 9

Heater & Hoses

10 Heater core (matrix)	STC3261	
11 Manifold to heater hose	PCH118830	
12 Expansion tank to heater	JHC100360	'95-'98
13 Heater return hose	PCH118830	'99-'02
14 Heater to thermostat	PEH101520	'95-'98
15 T-stat to heater, overflow	PCH000910	'99-'02
16 Heater inlet	PCH100920	'99-'02
17 Heater return	PCH118830	'99-'02
18 Expansion return	PCH118790	'99-'02

Engine Oil Cooler, Lines

20 high pressure line	ESR4415	'95-'98
	PBP101180	'99-'02
21 return line	ESR2697	'95-'98
	PBP101240	'99-'02
22 oil cooler, 4.0	ESR3204	
oil cooler, 4.6	ESR3205	
Blend flap motors: set of 3	STC3259	
Single motor	STC3266	



A/C-Heater Control Panel

JFC102550 often the cause of poor system operation