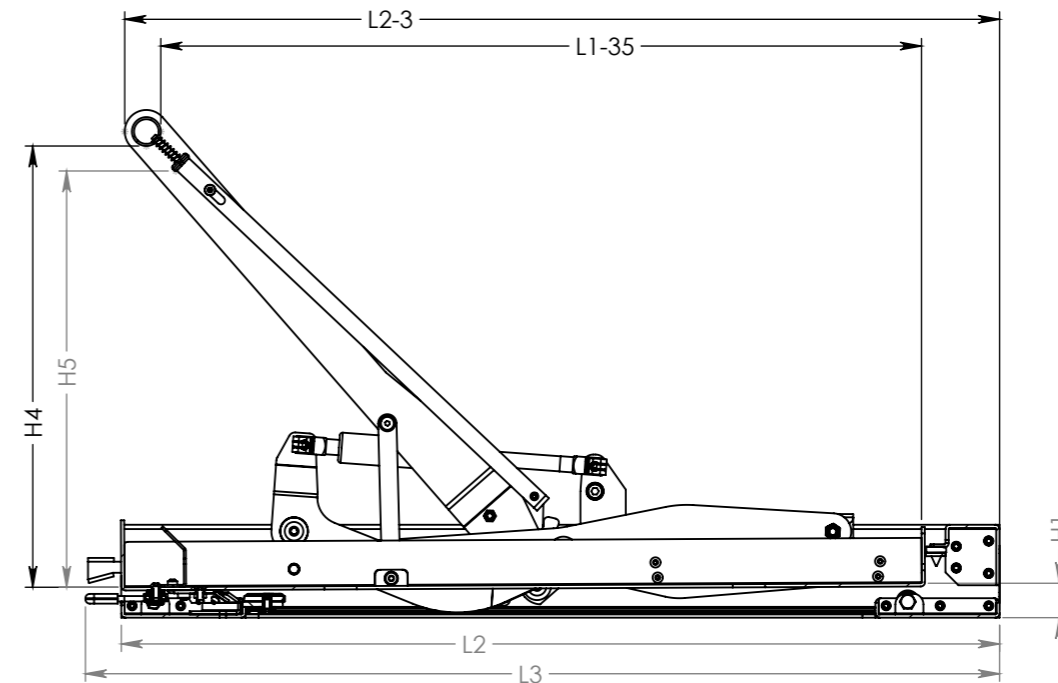
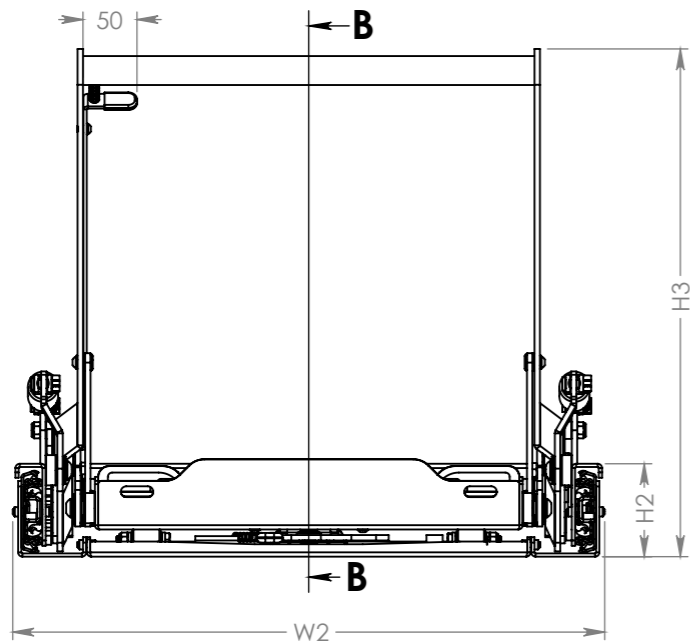
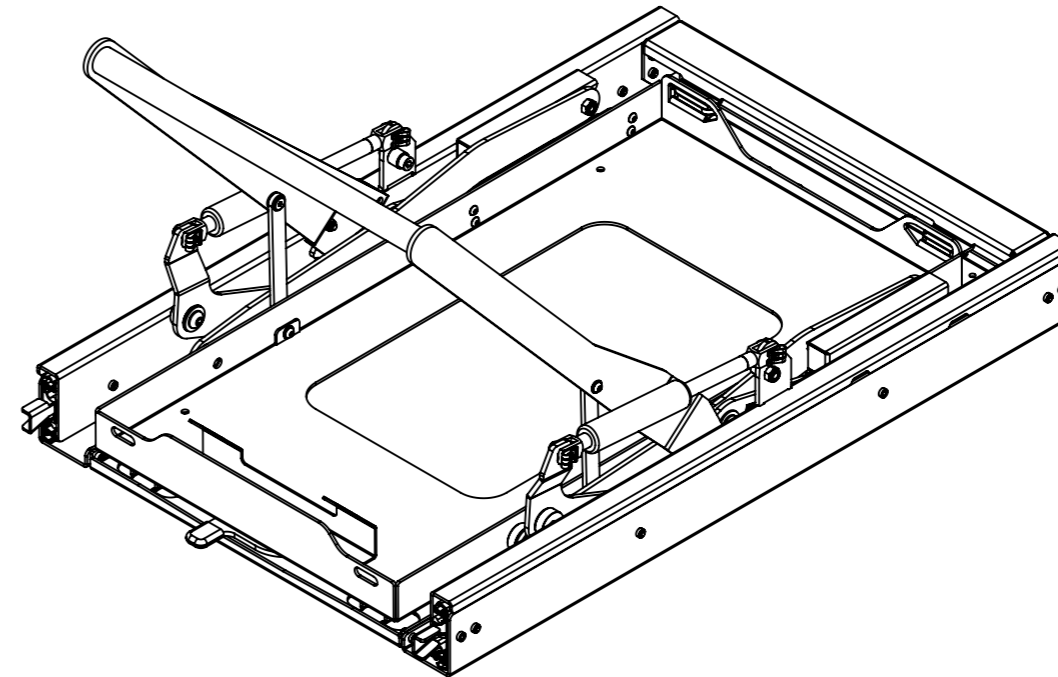
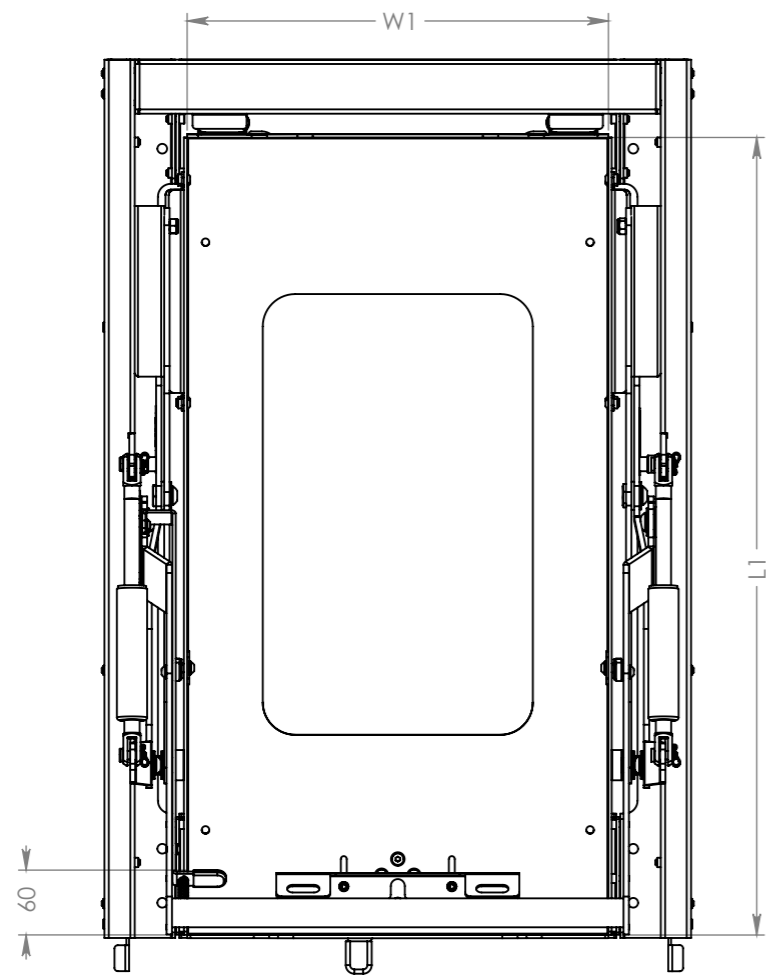


Model	Tray Length (L1)	Base Length (L2)	Overall Length (L3)	Tray Width (W1)	Overall Width (W2)	Tray Height (H1)	Frame Height (H2)	Overall Height (H3)	H4	H5
ES100+	738	813	846	390	550	28	86	470	407	384
ES150+	738	813	846	460	620	28	86	470	407	384
ES220+	885	968	1005	530	690	28	100	525	462	445



SECTION B-B  
SCALE 1 : 7

If your fridge height is greater than the height of the slide handle (H4), the usable tray length (L1) will be reduced by 35mm.

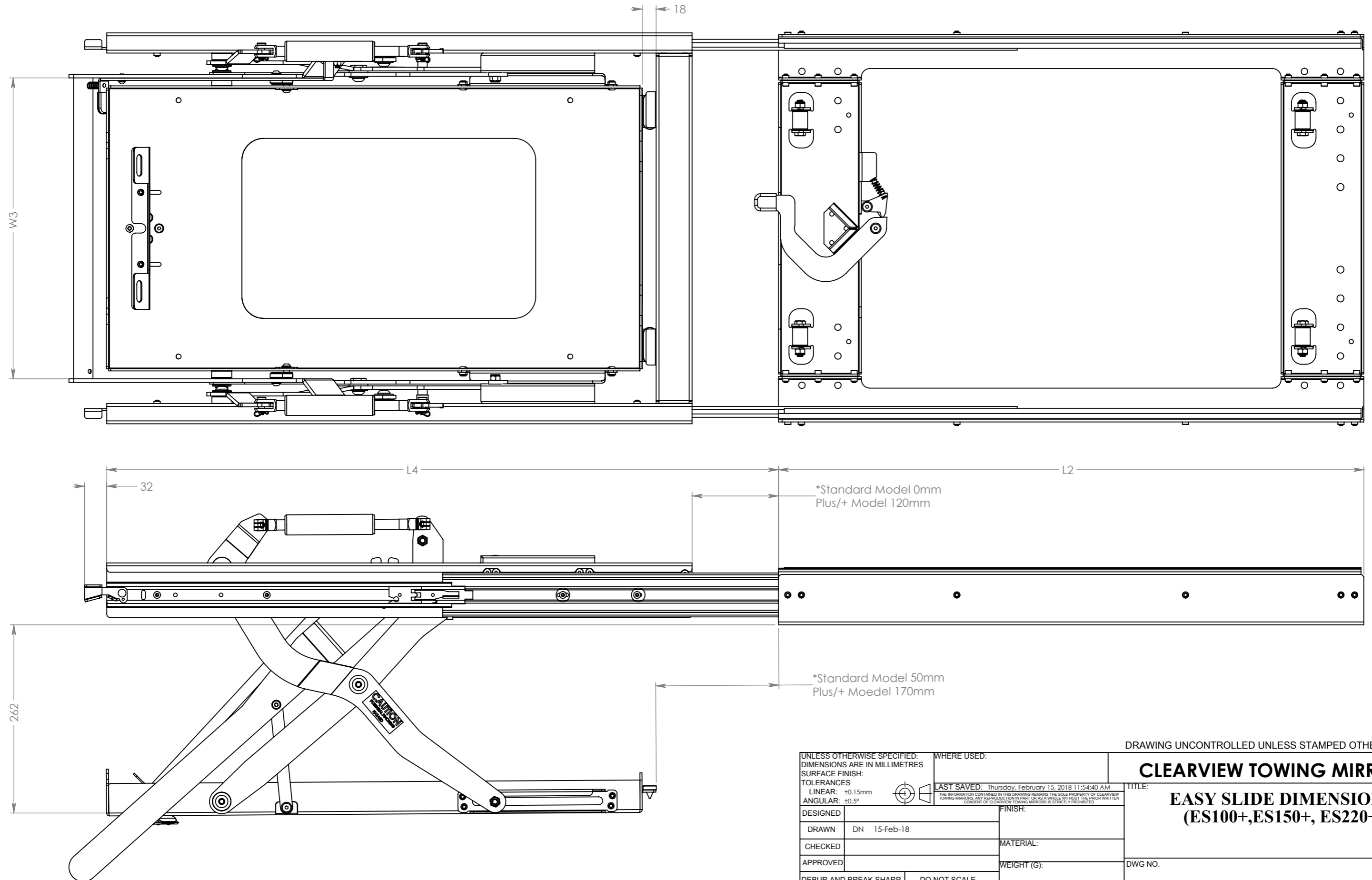
Please also check your fridge dimensions to ensure clearance around the trigger mechanism found on the left side of the handle. You will need access to this trigger in order to lower and raise the Easyslide.

DRAWING UNCONTROLLED UNLESS STAMPED OTHERWISE

UNLESS OTHERWISE SPECIFIED: DIMENSIONS ARE IN MILLIMETRES SURFACE FINISH: TOLERANCES LINEAR: ±0.15mm ANGULAR: ±0.5°		WHERE USED: LAST SAVED: Thursday, February 15, 2018 11:54:40 AM THE INFORMATION CONTAINED IN THIS DRAWING REMAINS THE SOLE PROPERTY OF CLEARVIEW TOWING MIRRORS. ANY REPRODUCTION IN PART OR AS A WHOLE WITHOUT THE PRIOR WRITTEN CONSENT OF CLEARVIEW TOWING MIRRORS IS STRICTLY PROHIBITED.	TITLE: <b>CLEARVIEW TOWING MIRRORS</b> <b>EASY SLIDE DIMENSIONS</b> <b>(ES100+, ES150+, ES220+)</b>
DESIGNED	DRAWN DN 15-Feb-18	FINISH:	DWG NO.
CHECKED		MATERIAL:	REVISION:
APPROVED		WEIGHT (G):	
DEBUR AND BREAK SHARP EDGES	DO NOT SCALE DRAWING	SCALE: 1:1	
FILE LOCATED: C:\Users\Dylan\Documents\Dylan's files\CleableView\Products\Easy Slide\Assemblies\ES100\		SHEET 1 OF 4   A3	

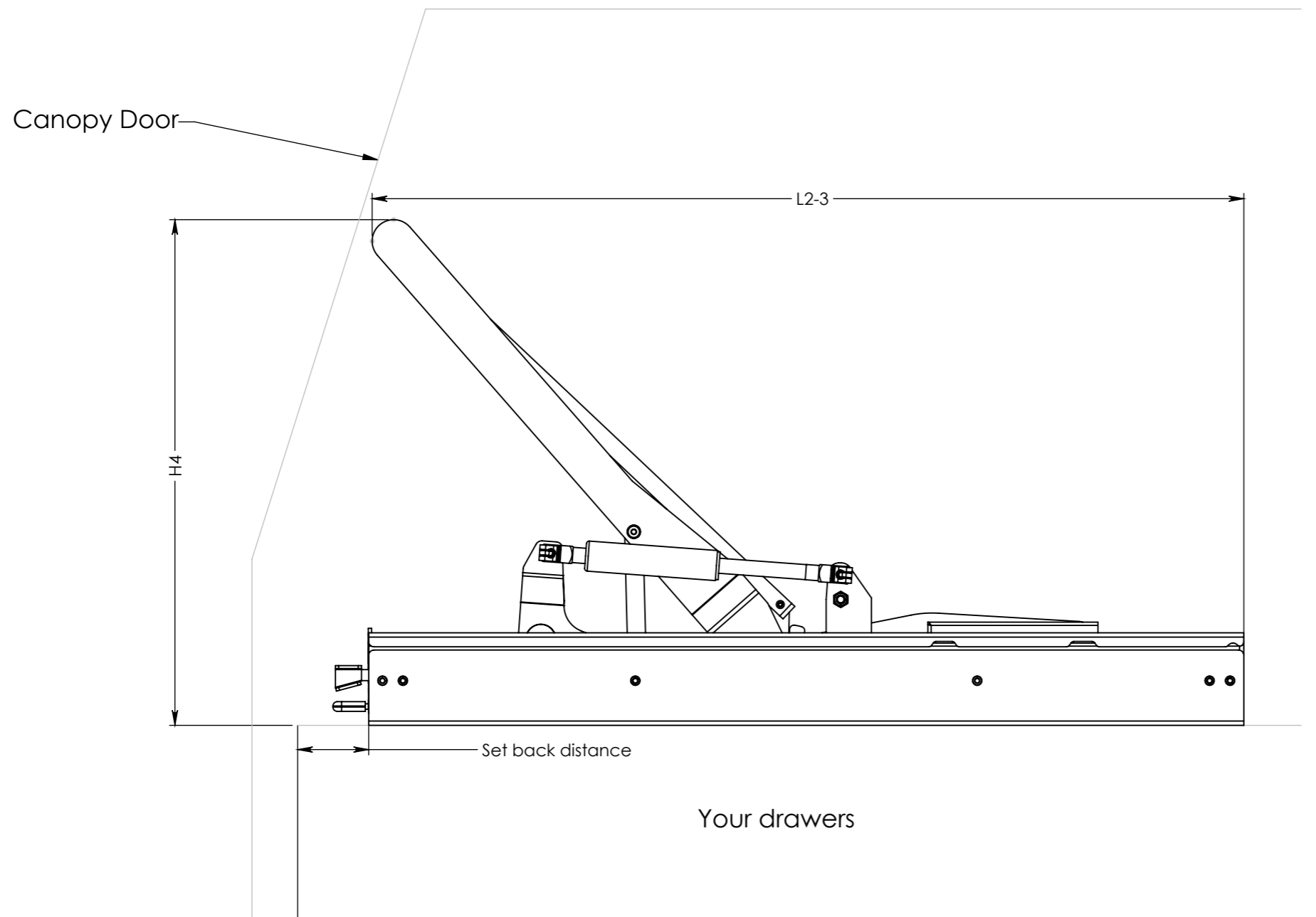
Model	Base Length (L2)	Rail Travel(L4)	Handle Width (W3)
ES100+	813	933	416
ES150+	813	933	486
ES220+	968	1085	556
*ES100	813	813	416
*ES150	813	813	486
*ES220	968	965	556

\*Please note, as of January 15th 2018, Clearview no longer carry or despatch any standard ES100, ES150 and ES220 Easyslides. All models will now have extended travel rails (extra 120mm) as standard and known as ES100+, ES150+ and ES220+.



UNLESS OTHERWISE SPECIFIED: DIMENSIONS ARE IN MILLIMETRES SURFACE FINISH: TOLERANCES LINEAR: ±0.15mm ANGULAR: ±0.5°		WHERE USED:  LAST SAVED: Thursday, February 15, 2018 11:54:40 AM <small>THE INFORMATION CONTAINED IN THIS DRAWING REMAINS THE SOLE PROPERTY OF CLEARVIEW TOWING MIRRORS. ANY REPRODUCTION IN PART OR AS A WHOLE WITHOUT THE PRIOR WRITTEN CONSENT OF CLEARVIEW TOWING MIRRORS IS STRICTLY PROHIBITED.</small>
DESIGNED		FINISH:
DRAWN	DN 15-Feb-18	MATERIAL:
CHECKED		WEIGHT (G):
APPROVED		SCALE: 1:1
DEBUR AND BREAK SHARP EDGES	DO NOT SCALE DRAWING	
FILE LOCATED: C:\Users\Cleaview\Documents\Dylan's files\Cleaview\Products\Easy Slide\Assemblies\ES100\		

DRAWING UNCONTROLLED UNLESS STAMPED OTHERWISE	
<b>CLEARVIEW TOWING MIRRORS</b>	
<b>EASY SLIDE DIMENSIONS (ES100+,ES150+, ES220+)</b>	
DWG NO.	REVISION:

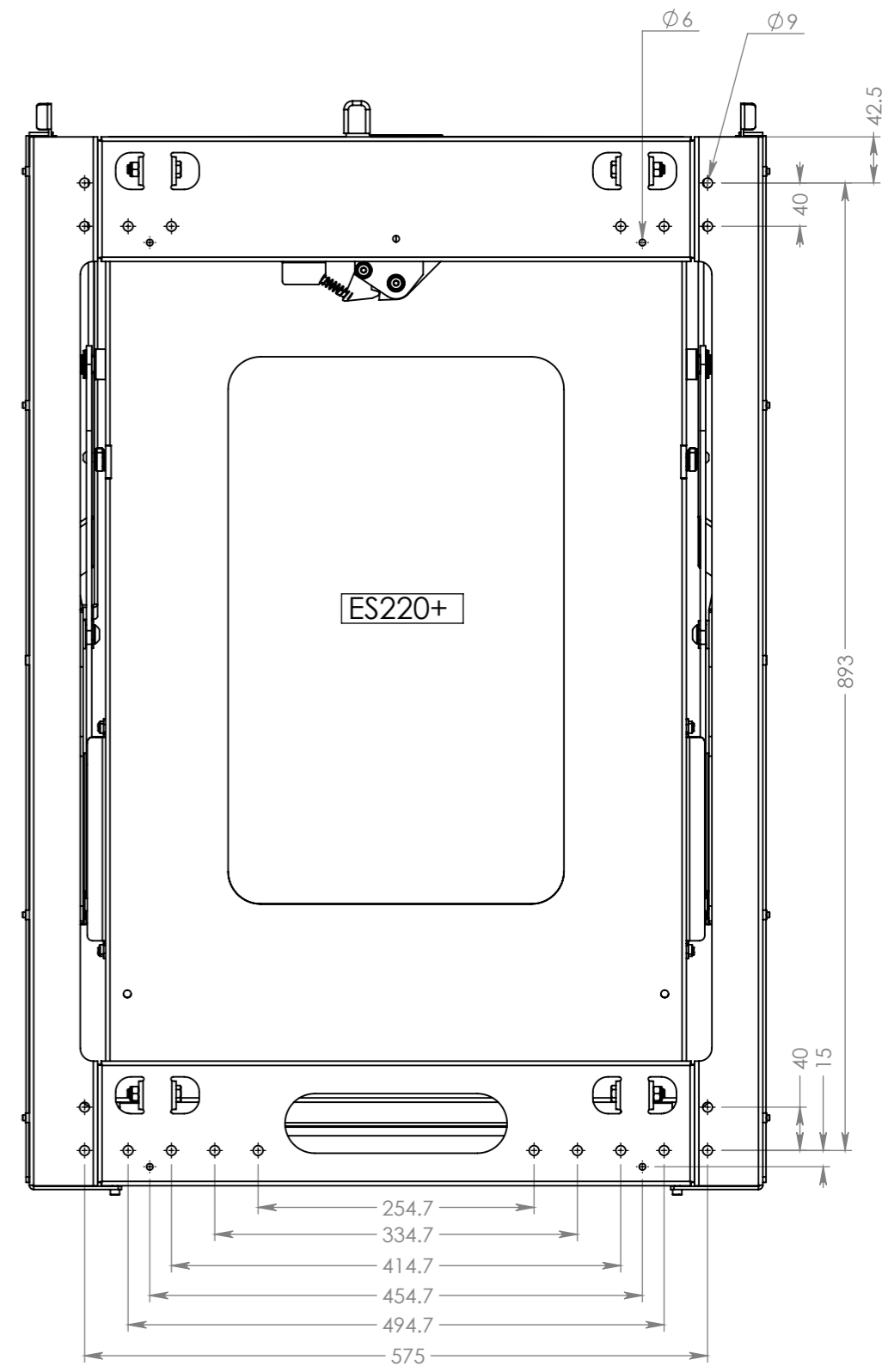
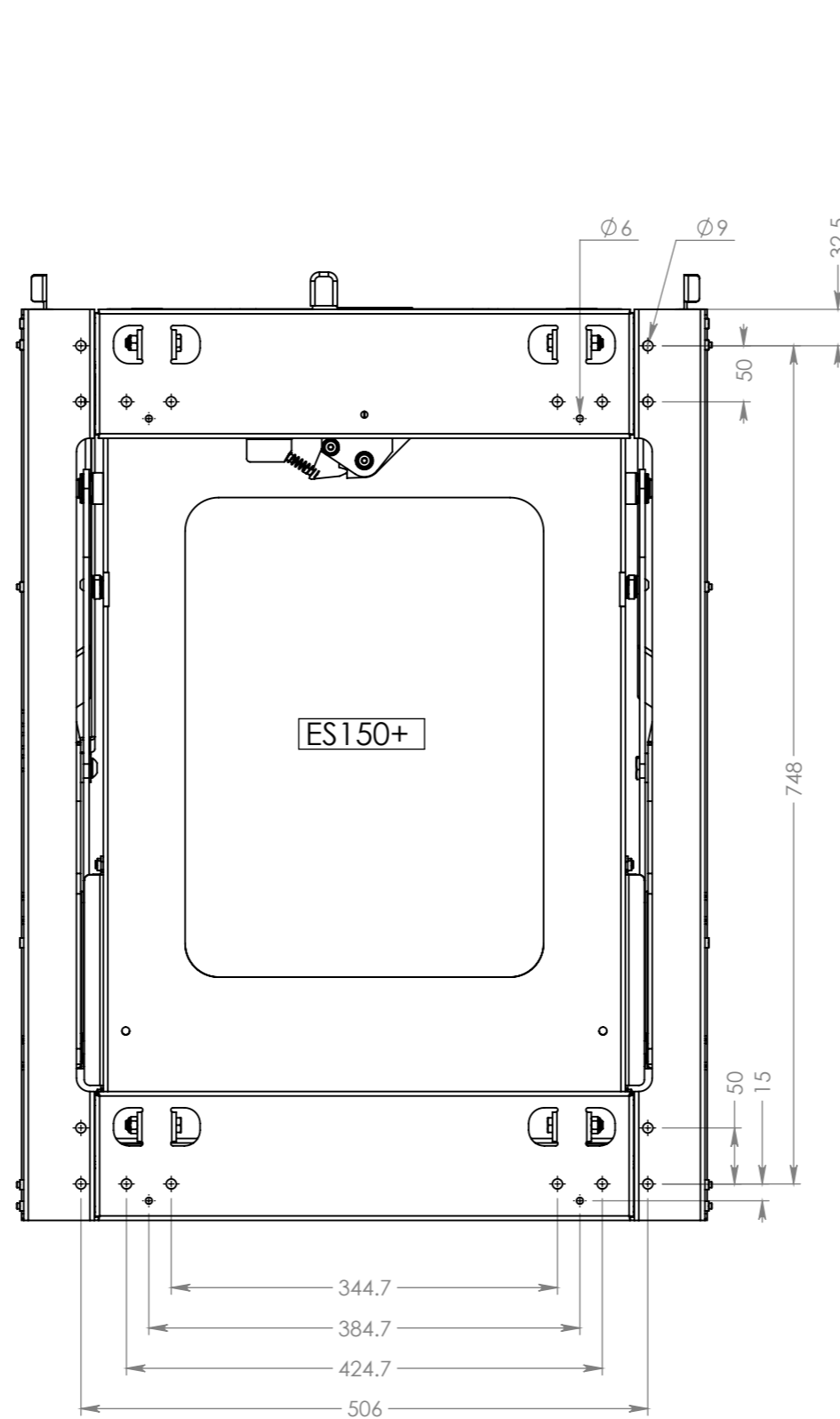
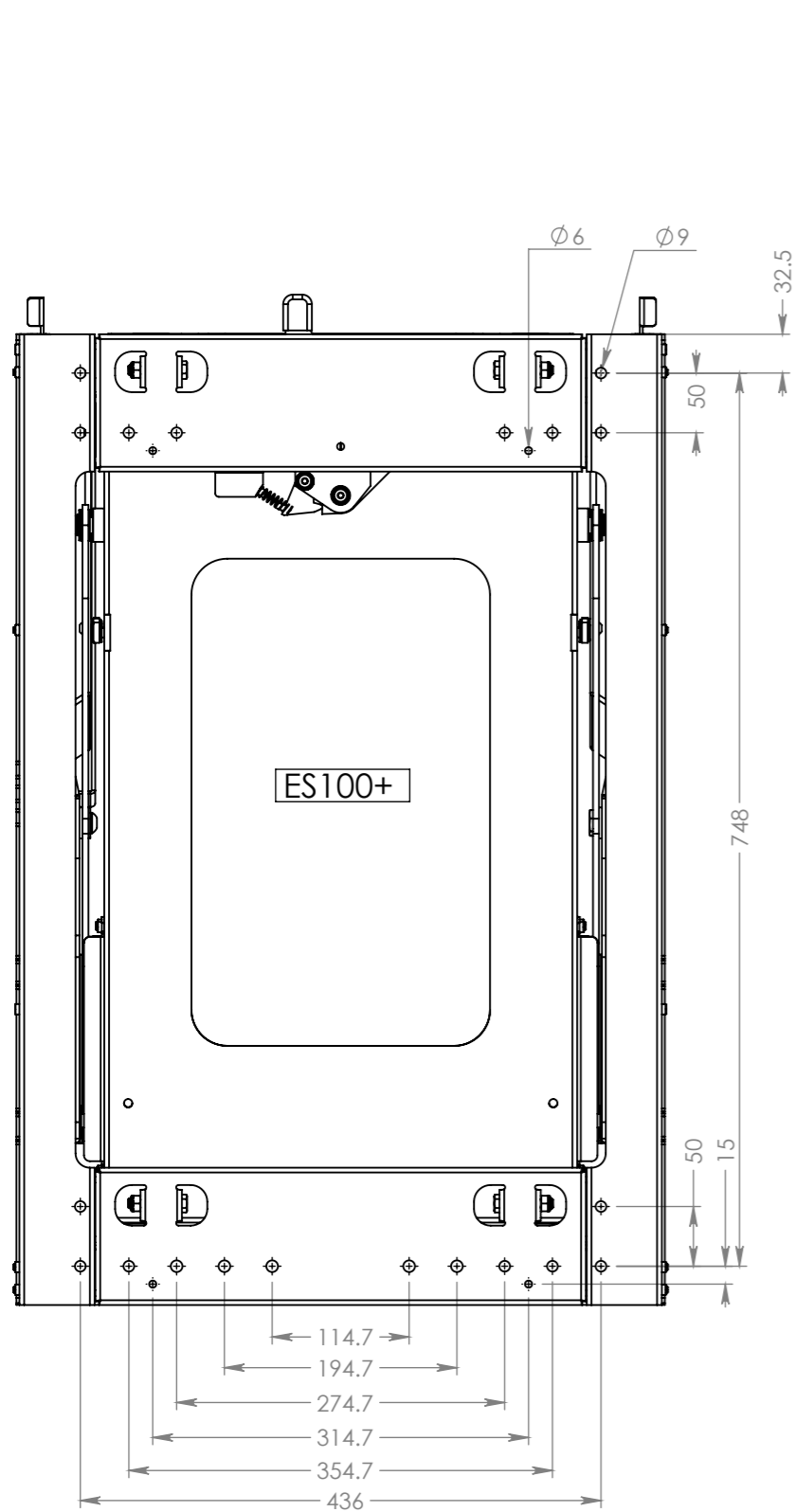


Some factors to consider when working out the setback distance required.

- Whether the angled canopy door/boot lid will interfere with handle/lock levers of the Easyslide or top edge of your fridge.
- There is sufficient rail travel to allow the Easyslide to lower without any interference (sides and back of ute trays/canopy, wheel guards etc).

DRAWING UNCONTROLLED UNLESS STAMPED OTHERWISE

UNLESS OTHERWISE SPECIFIED: DIMENSIONS ARE IN MILLIMETRES SURFACE FINISH: TOLERANCES LINEAR: $\pm 0.15\text{mm}$ ANGULAR: $\pm 0.5^\circ$		WHERE USED:	<b>CLEARVIEW TOWING MIRRORS</b> TITLE: <b>EASY SLIDE DIMENSIONS</b> <b>(ES100+, ES150+, ES220+)</b>	
DESIGNED		FINISH:		
DRAWN	DN 15-Feb-18	CHECKED	MATERIAL:	
CHECKED		APPROVED	WEIGHT (G):	DWG NO.
DEBUR AND BREAK SHARP EDGES	DO NOT SCALE DRAWING	SCALE:	1:20	REVISION:
FILE LOCATED: C:\Users\Cleaview\Documents\Dylan's files\Cleaview\Products\Easy Slide\Assemblies\ES100\			SHEET 3 OF 4	A3



UNLESS OTHERWISE SPECIFIED: DIMENSIONS ARE IN MILLIMETRES SURFACE FINISH: TOLERANCES LINEAR: $\pm 0.15\text{mm}$ ANGULAR: $\pm 0.5^\circ$		WHERE USED:	DRAWING UNCONTROLLED UNLESS STAMPED OTHERWISE	
DESIGNED		FINISH:	<b>CLEARVIEW TOWING MIRRORS</b>	
DRAWN	DN 15-Feb-18	MATERIAL:		
CHECKED		WEIGHT (G):	<b>EASY SLIDE DIMENSIONS (ES100+, ES150+, ES220+)</b>	
APPROVED		SCALE: 1:20		
DEBUR AND BREAK SHARP EDGES	DO NOT SCALE DRAWING		DWG NO.	REVISION:
FILE LOCATED: C:\Users\Cleaview\Documents\Dylan's files\Cleaview\Products\Easy Slide\Assemblies\ES100\			SHEET 4 OF 4	A3